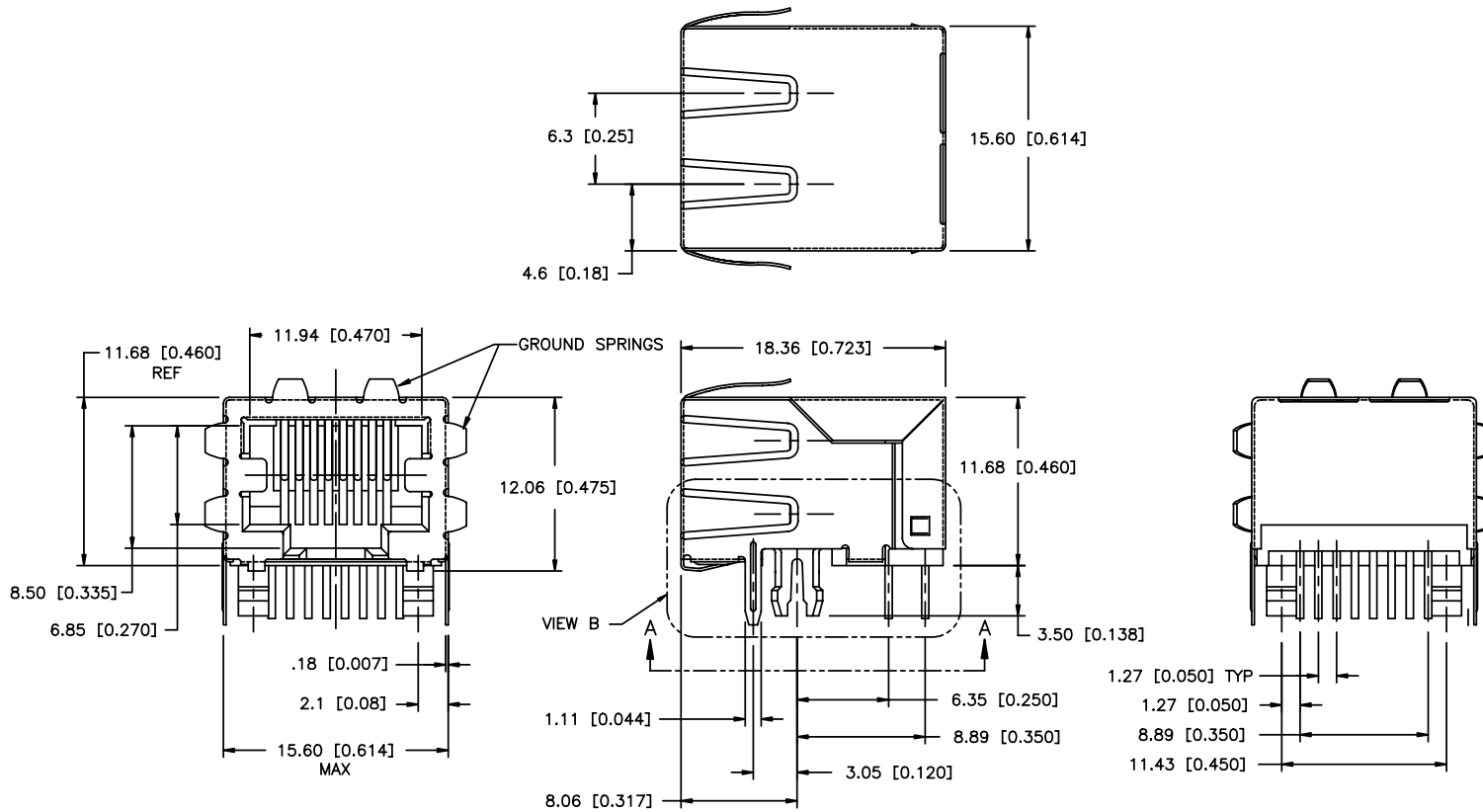


Tous droits strictement reserves. Reproduction ou communication a des tiers interdite sous quelque forme que ce soit sans autorisation ecrite du proprietaire. Propriete de c FCI. Droits de reproduction FCI.



All rights strictly reserved. Reproduction or issue to third parties in any form whatever is not permitted without written authority from the proprietor. Property of FCI. Copyright FCI.

PRODUCT NO.
SEE TABLE



mat'l. code				tolerances unless otherwise specified		CUSTOMER COPY	FCI	
ltr	ecn no	dr	date	linear	angles		projection	title
F	V80459	LP	3/25/98				8 POS LOW PROFILE PCB III SHIELDED MODJACK ASSEMBLY	
G	V81277	GAH	3/25/98					
H	V81819	CGC	10/27/98				product family MODJACK size dwg no	
J	V00470	BKB	2/1/00	dr	G.HULL			5/28/96
K	V01040	CSP	6/1/00	enr	Y.BELOPOLSKY	5/28/96	code 213	
L	V03-1103	PJ	10/16/03	chr	R.HOLLER	5/28/96		
M	M05-0066	ERE	04/15/05	appd	Y.BELOPOLSKY	5/28/96	sheet 1 of 3	
sheet	revision	M	L	M				
index	sheet	1	2	3				

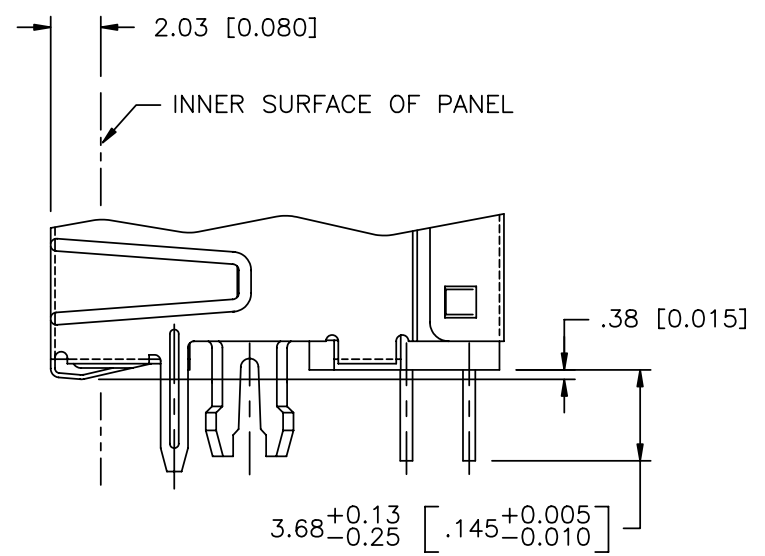
CUSTOMER COPY		FCI	
		www.fciconnect.com	
projection		product family	MODJACK
scale	2:1	size dwg no	72231
		code	213
		sheet	1 of 3



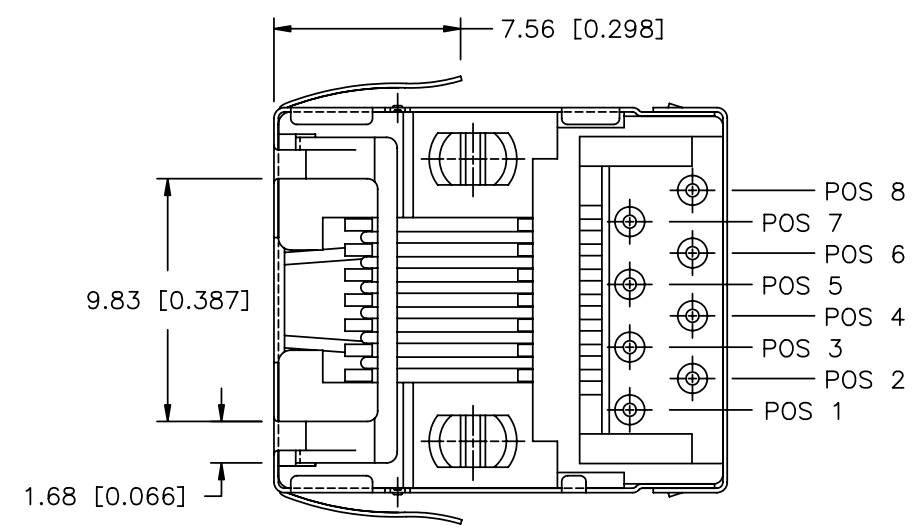
All rights strictly reserved. Reproduction or issue to third parties in any form whatever is not permitted without written authority from the proprietor. Property of FCI. Copyright FCI.

Tous droits strictement reserves. Reproduction ou communication a des tiers interdite sous quelque forme que ce soit sans autorisation ecrite du proprietaire. Propriete de c FCI. Droits de reproduction FCI.

PRODUCT NO.
SEE TABLE



VIEW B



VIEW A-A

mat'l. code		tolerances unless otherwise specified		CUSTOMER COPY		www.fciconnect.com			
ltr	ecn no	dr	date	linear	.X±.3/.XX ±.01/	projection			
L					.XX±.13/.XXX ±.005				title 8 POS LOW PROFILE PCB III SHIELDED MODJACK ASSEMBLY
					.XXX±.051/.XXXX ±.0020				
				angles	0° ±2'	MM/INCH	size		
				dr	G.HULL 5/28/96	scale	72231		
				enr	Y.BELOPOLSKY 5/28/96	2:1	sheet		
				chr	R.HOLLER 5/28/96		2 of 3		
				appd	Y.BELOPOLSKY 5/28/96				
sheet index	revision sheet								

Tous droits strictement reserves. Reproduction ou communication a des tiers interdite sous quelque forme que ce soit sans autorisation ecrite du proprietaire. Propriete de c FCI. Droits de reproduction FCI.



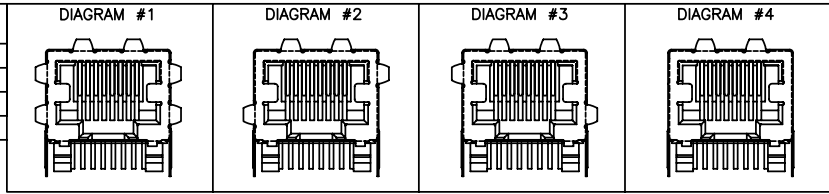
All rights strictly reserved. Reproduction or issue to third parties in any form whatever is not permitted without written authority from the proprietor. Property of FCI. Copyright FCI.

PRODUCT NO.
SEE TABLE

PRODUCT NO.
72231-X8YZLF

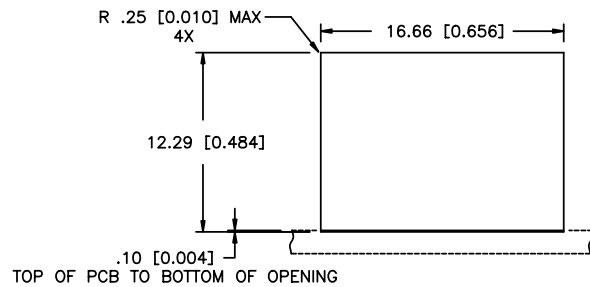
8 POSITION HOUSING

CODE Z	GROUND SPRING CONFIGURATIONS
1	DIAGRAM #1
2	DIAGRAM #2
3	DIAGRAM #3
4	DIAGRAM #4



GROUND SPRING CONFIGURATIONS AS VIEWED FROM PORT SIDE

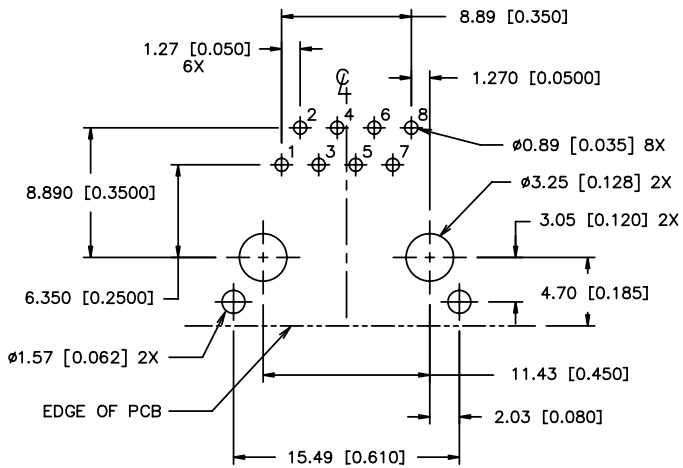
NOTE: PLEASE CHECK FOR AVAILABILITY, NOT ALL OPTIONS AVAILABLE.



RECOMMENDED PANEL OPENING

OPTIONAL LOADING CODE Y	POSITIONS LOADED
4	3,4,5,6
6	2,3,4,5,6,7
8	ALL POS

PLATING CODE X	PLATING ⑨
0	.76uM/30u" GXT
3	.76uM/30u" Au
5	1.27uM/50u" Au OVER Ni



RECOMMENDED P.C.B. LAYOUT
AS VIEWED FROM TOP SIDE (COMPONENT SIDE)

NOTES:

- RECOMMENDED P.C.B. THICKNESS 1.60 [0.063].
- HOUSING MATL: HIGH TEMPERATURE THERMOPLASTIC MATERIAL, UL94V-0, COLOR BLACK.
- CONTACTS MATL: PHOS BRONZE ALLOY ROUND WIRE. SEE TABLE FOR PLATING.
- SHIELD MATL: PHOS BRONZE ALLOY, BRIGHT TIN PLATE OVER NICKEL UNDERPLATING PER BUS-15-002/M.
- TWO LAYERS OF HIGH TEMP. INSULATING TAPE BETWEEN SHIELD AND SIGNAL CONTACTS.
- LF SUFFIX AT THE END OF PART NUMBER IS LEAD FREE.
- THE HOUSING WILL WITHSTAND EXPOSURE TO 260°C PEAK TEMPERATURE FOR 15 SECONDS IN A WAVE SOLDER APPLICATION WITH A 1.5mm MINIMUM THICK CIRCUIT BOARD. SEE APPLICATION NOTES/PROCEDURES IF THEY ARE AVAILABLE.
- THIS PRODUCT MEETS EUROPEAN UNION DIRECTIVES AND OTHER COUNTRY REGULATION AS DESCRIBED IN GS-22-008.
- PLATING OPTIONS: MAY BE EITHER GOLD OR GXT PLATED AT MANUFACTURER'S OPTION.

mat'l. code		tolerances unless otherwise specified		CUSTOMER COPY		FCI www.fciconnect.com		
ltr	ecn no	dr	date	linear	projection	title		
M				.X±.3/.XX ±.01		8 POS LOW PROFILE PCB III SHIELDED MODJACK ASSEMBLY		
				.XX±.13/.XXX ±.005			product family	code
				.XXX±.051/.XXXX ±.0020			MODJACK	213
				angles	scale	size	sheet	
				0° ±2'	2:1	dwg no	3 of 3	
				dr	G.HULL	72231		
				enr	Y.BELOPOLSKY	A		
				chr	R.HOLLER	cage code		
				appd	Y.BELOPOLSKY	26		
sheet index	revision sheet							